

Horizon

FOLDING

AF-764AKL / AKLL

Cross Folder



ACCURATE CROSS FOLDING WITH EASY OPERATION

8-page, 16-page, and 32-page cross folding are produced with high precision.

BENEFITS

A WIDE VARIETY OF FOLDING PATTERNS

8-page, 16-page, and 32-page* cross folding can be processed by the combination of the parallel buckle fold plates and the cross-fold knife to fit your needs.

*Only for AF-764AKLL

USER FRIENDLY OPERATION

Each buckle plate and knife stopper is set automatically by selecting the sheet size and fold pattern on the LCD touchscreen.

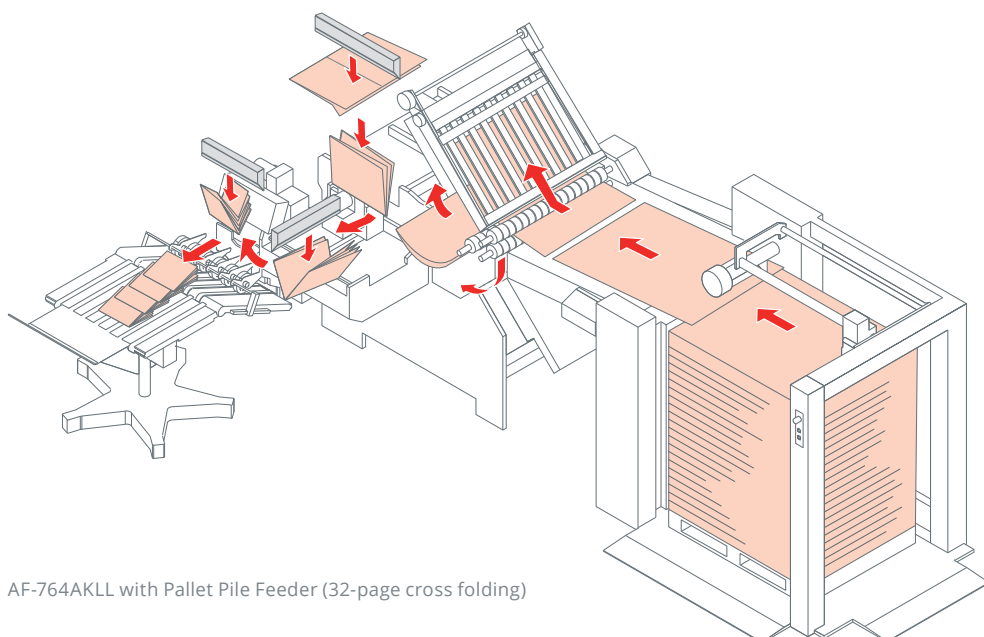
SELECTABLE FEEDERS

Two different types of feeders can be selected for various work environments : Flat Pile Feeder and Pallet Pile Feeder.

VARIOUS OPTIONS

Various options such as the MKU-38 mobile knife unit and the T-564A automated buckle unit are available to handle a wide range of applications.

SHEET FLOW



AF-764AKLL with Pallet Pile Feeder (32-page cross folding)

DIFFERENCES BETWEEN AF-764AKL AND AF-764AKLL

	THREE KNIVES	TWO KNIVES
Four Buckles	AF-764AKLL (Automated Setup)	AF-764AKL (Automated Setup)
Fold Patterns	8-page Cross Fold, 16-page Cross Fold, 32-page Cross Fold	8-page Cross Fold, 16-page Cross Fold

TWO TYPES OF FEEDERS

FLAT PILE FEEDER

- The flat pile feeder is the standard feeder. The flat pile feeder, feeds sheets that are loaded on the table.

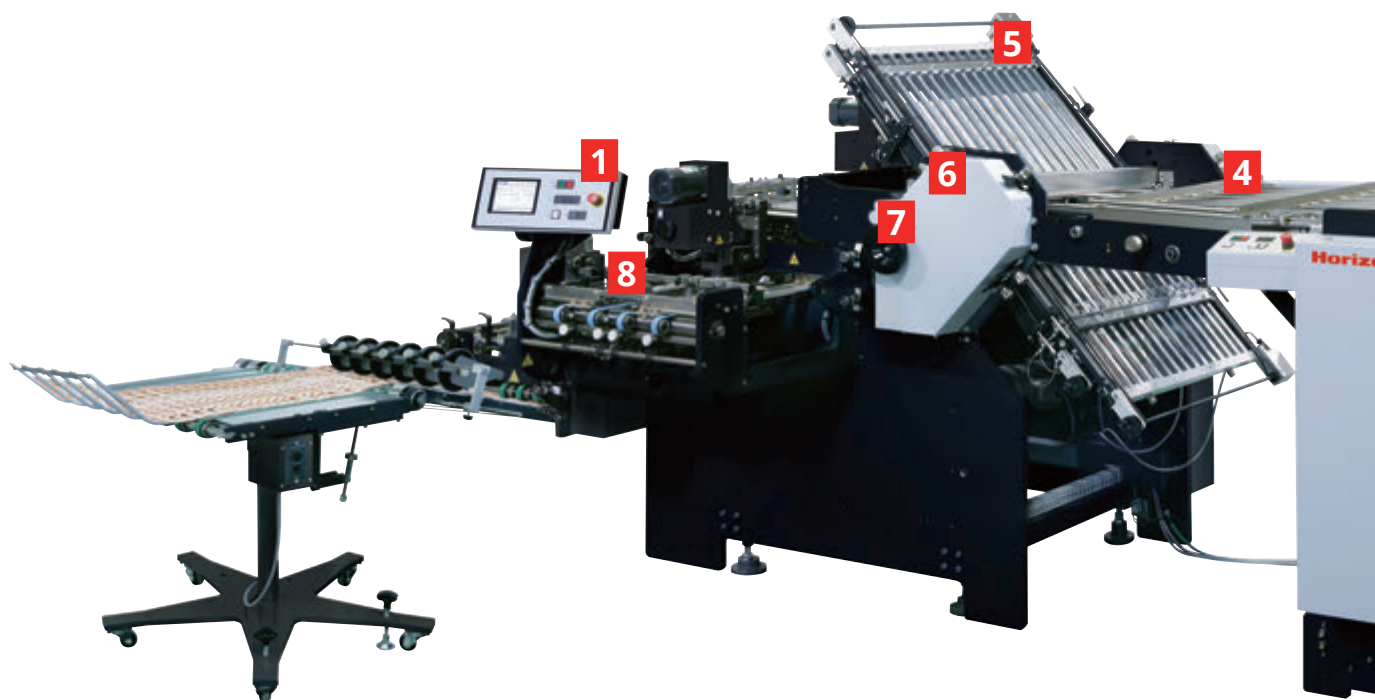


PALLET PILE FEEDER

- The pallet feeder accepts piled pallets direct from the printing press to maximize operator convenience and to minimize production time.



DETAILS FOR EACH SECTION.



1 COLOR TOUCH PANEL DISPLAY

The color touch panel is icon-based for user-friendly operation. Folding speed, feed settings and knife timing can be memorized for quick and easy recall of regular jobs. The number of folding sheets for each job and operating time can be recorded.



3 FEED ROTOR

Quality polyurethane rotor provides high speed and stable feeding without scratching.



2 SUCTION HEAD

Innovative new suction head design provides accurate sheet separation and pick-up. Blowing air volume and height of the suction head can be adjusted according to the sheet condition.

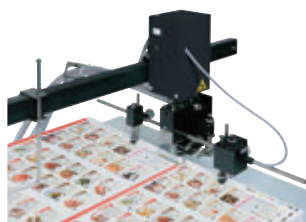


Photo : Flat Pile Feeder

Supersonic Sensor *Pallet Pile Feeder

The supersonic double feed sensor works through the transmission of supersonic wave. Its advanced detection ensures accurate double feed detection even with a solid black printed sheet.



Mechanical Double Feed Detection *Flat Pile Feeder

Double-feeding is prevented by simply inserting the sheet under the lever for double feed detector.





6 FOLDING ROLLERS

The combination soft polyurethane soft grip rubber and steel rollers are employed for consistent folding and simple setup. Folding rollers are driven with accurate helical gears for maximum folding precision and quiet operation. The flexible cross couplings are employed for minimal wear.



4 SHEET TRANSPORTATION

The side lay guide is coated with a special anti-static plating. Newly-designed rigid side lay guide ensures stable transportation and accurate registration of a wide range of paper stocks.



7 PERFORATION

Perforation, slit perforation, scoring, slitting and strip trimming can be performed. Newly developed blades enables tight folding. 3 sets of perforation blades are provided as standard equipment. Optional blades are also available.



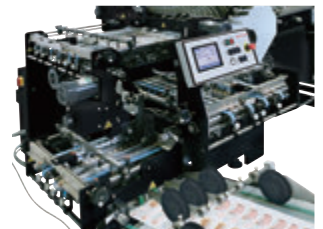
5 BUCKLE

Specially-coated buckle plates minimize paper friction to maintain fold accuracy without scratching.



8 KNIFE FOLD SECTION

Timing and tilt of the knife can be adjusted easily. Newly developed knife drive mechanism is employed for durable knife drive performance.

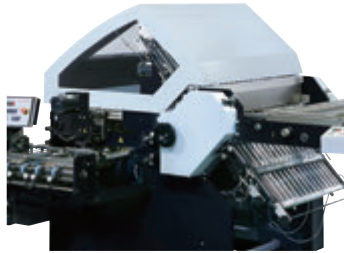


OPTIONS.

Performance Enhancing Options.

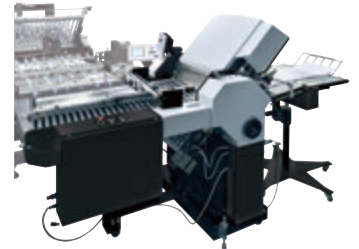
| SOUND PROOF COVER

- Sound proof cover for quieter operation.



| T-564A/T-566A BUCKLE UNIT

- Free standing buckle folding unit is available in 4 buckle and 6 buckle modules. All buckle plates can set up automatically depending on the selected sheet size and folding patterns.



| MKU-38 MOBILE KNIFE FOLD UNIT

- Compact and user friendly mobile knife unit. Knife rotating feature enables folding up or down with quick and simple change-over.



| MKU-54T MOBILE KNIFE FOLD UNIT

- The MKU-54T is mobile knife unit equipped with the buckles below knife. It is capable of the letter fold after 8-page cross fold.



| PSX-56 / PSX-56R PRESS STACKER WITH PILE DELIVERY

- Stacked signatures or booklets are delivered to a comfortable height for easy packaging. Applications can be stacked 1-up, 2-up or 3-up for efficient production. Rigid, large diameter rollers apply 1.2 tons of pressure for crisp, tight and flat folds.



| PST-66 / PST-44 / PST-44L PRESS STACKER

- First roller removes the air and second roller compresses the signature to reduce bulk. Batch separation is available to maximize productivity.



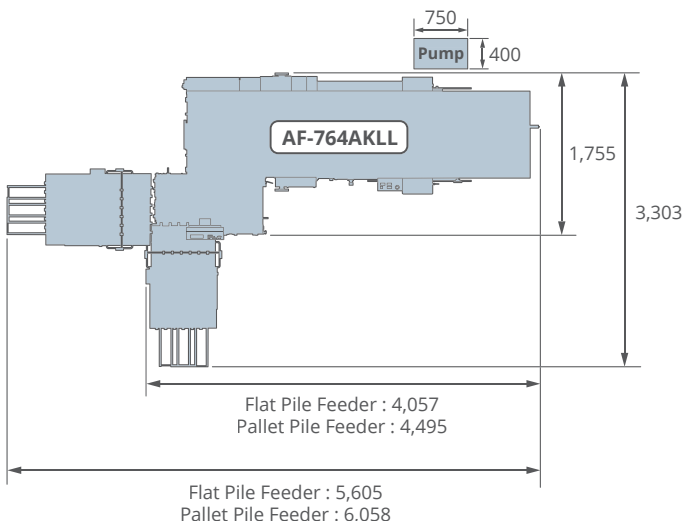
PST-44

SPECIFICATIONS.

Machine Dimensions. (Unit : mm)

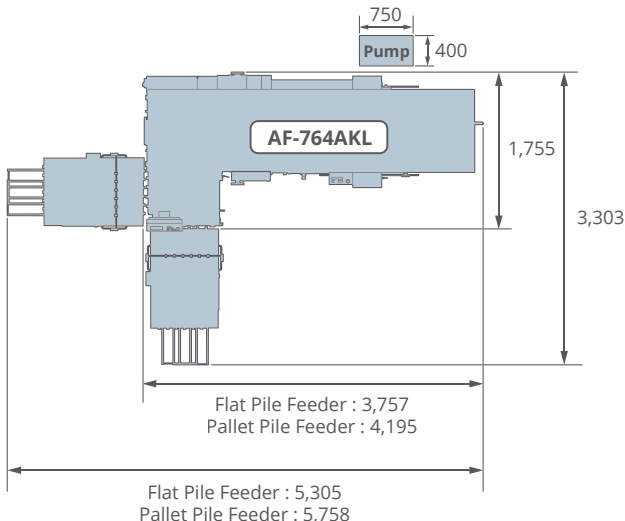
AF-764AKLL

(Top View)



AF-764AKL

(Top View)



		AF-764AKLL	AF-764AKL
Machine Configuration		4 Buckles + 3 Fold Knives	4 Buckles + 2 Fold Knives
Signature / Booklet Thickness 	Flat Pile Feeder	Width × Length Max. 760 × 1,100 mm Min. 210 × 210 mm	
	Pallet Pile Feeder	Max. 760 × 1,100 mm Min. 210 × 210 mm	
Sheet Weight Range		Uncoated Paper 35 to 209 gsm Coated Paper 50 to 232 gsm	
Belt Speed		30 to 240 meters per minute 99 to 787 feet per minute	
Production Speed		Suction Head 40,000 cycles per hour Knife 28,000 cycles per hour	
Buckle Fold Length		1st Buckle : 60 to 560 mm 2nd Buckle : 30 to 515 mm 3rd Buckle : 30 to 480 mm 4th Buckle : 30 to 330 mm	
Vacuum Pump*1		Flat Pile Feeder / Pallet Pile Feeder : Option Requirement Exhaust Velocity : 60 m ³ per hour or more Vacuum : - 60 kPa Blower : + 60 kPa Power Consumption : 3.0 / 3.6 kW (50 or 60 Hz) Voltage / Frequency : Delta Connection 230 / Y400 V + / - 10%, 50 Hz Delta Connection 265 / Y460 V + / - 10%, 60 Hz	
Voltage / Frequency		3-phase 200 to 220 V, 50 or 60 Hz 3-phase 380 / 400 / 415 V, 50 or 60 Hz (Transformer is an option)	
Machine Dimensions	Flat Pile Feeder	W4,057 × D1,755 × H1,670 mm	W3,757 × D1,755 × H1,670 mm
	Pallet Pile Feeder	W4,495 × D1,755 × H1,670 mm	W4,195 × D1,755 × H1,670 mm
	Conveyor (LCV-76)	W1,548 × D848 × H1,250 mm	

*1 Use the vacuum pump with this specifications. The vacuum pump can be purchased from Horizon International Inc. Model P-76 (For 3-phase).

*1 The Transformer can be purchased from Horizon International Inc. Model TR-4007 (For 3-phase).

MORE AT
HORIZON.CO.JP



Horizon

Horizon International Inc.

1601 Asahi, Shinasahicho, Takashima,
Shiga, 520-1501, Japan
Phone : +81-740-25-4570
Fax : +81-740-25-5820
www.horizon.co.jp

Horizon GmbH

Pascalstrasse 20
25451 Quickborn / Germany
Phone : +49 4106 8042-0
Fax : +49 4106 8042-199
www.horizon.de